

ELCZ-171 1Ph 1/3HP 115V Left side

FOR EXTERNAL WIRING SEE: ERL SERIES DIAGRAMS



DIAGRAM NO. ICL-2083 OPERATOR EL-FL-SFL-L

INTERNAL WIRING DIAGRAM

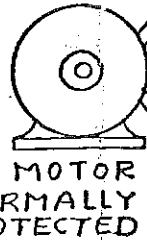
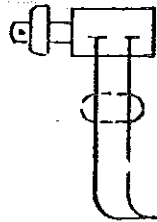
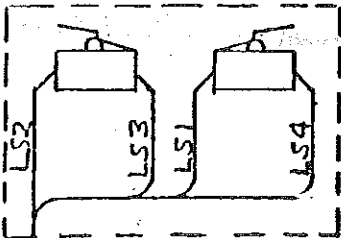
PHASE I

DATE 11-10-81 BY MJ

YASKAWA REVERSING CONTACTOR DOERR OR WESTINGHOUSE 115/230 VOLT MOTOR CONNECTED FOR 115 VOLTS

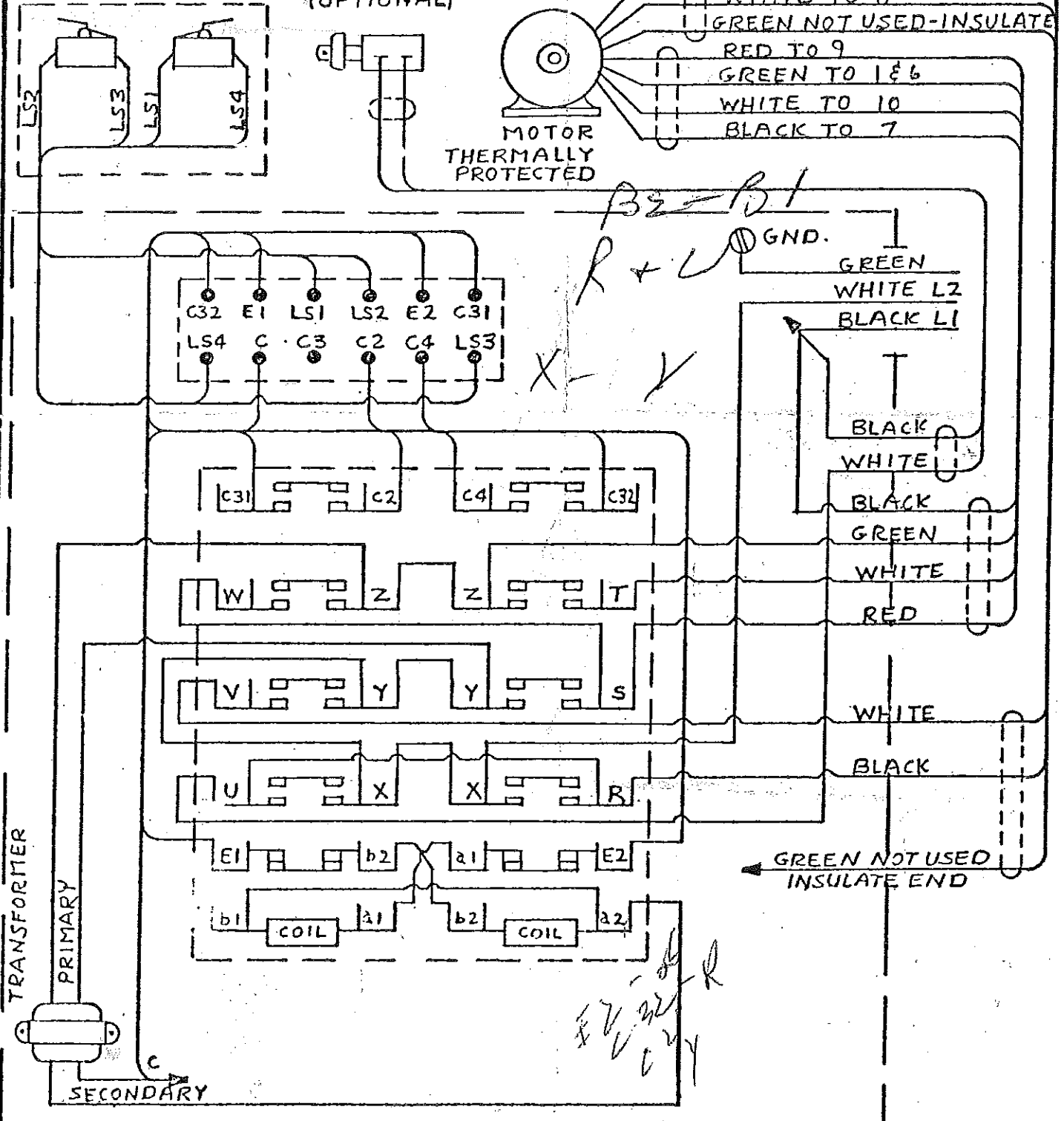
LIMIT SWITCHES NORMALLY CLOSED

BRAKE SOLENOID (OPTIONAL)



- BLACK TO 2 & 4
- WHITE TO 8
- GREEN NOT USED-INSULATE
- RED TO 9
- GREEN TO 1 & 6
- WHITE TO 10
- BLACK TO 7

MOTOR THERMALLY PROTECTED



TRANSFORMER PRIMARY SECONDARY

Handwritten notes:
B2-B1
R+L
X-Y
GREEN NOT USED INSULATE END